

CCS Technical Documentation

NPM-8 Series Transceivers

7. Service Tools

Contents

	Page No
Docking Station (JBV-1) / Docking Station Adapter (MJF-16)	5
Product Code	5
View of JBV-1 and MJF-16	6
View of JBV-1, MJF-16, and the transceiver NPM-8.....	6
Galvanic Contact (GAC-4)	7
Product Code	7
View of Galvanic Contact	7
Module Jig (MJS-37)	8
Product Code	8
View of MJS-37	8
Soldering Jig (MJS-67)	9
Product Code	9
View of MJS-67	9
Flash Prommer (FPS-8)	10
Product Code	10
View of Flash Prommer	10
Parallel Flash Prommer (FPS-8C).....	11
Product Code	11
View of Parallel Flash Prommer	11
Flash Loading Adapter (FLA-23)	12
Product Code	12
View of FLA-23	12
DC Cable (FLC-2)	12
Product Code	12
View of FLC-2	12
Service Cable (XCS-1).....	13
Product Code	13
View of XCS-1	13
SW Security Device (PKD-1)	14
Product Code	14
View of SW Security Device	14
POS Flash (FLS-4S).....	15
Product Code	15
View of POS Flash Adapter	15
Power Cable (PCS-1)	16
Product Code	16
View of Power Cable	16
RF Cable (XRF-6).....	17
Product Code	17
View of RF Cable.....	17
DAU-9S MBUS Cable	18
Product Code	18
View of MBUS Cable DAU-9S	18
DC Cable (SCB-3)	19
Product Code	19
View of DC Cable	19
Mbus/Fbus Cable (XCS-4).....	19

Product Code	19
View of Mbus/Fbus Cable.....	19
Flashing and Testing Setups	20
Flash Concept	20
Flash Concept - POS (Point Of Sale)	21
JBV-1 Flash Concept	22
Jig Concept	23
Covers On Service Concept	24
Parallel Flash Concept	25

Docking Station (JBV-1) Docking Station Adapter (MJF-16)

The Docking Station JBV-1 supports calibration and software updates. The MJF-16 adapter makes signal connections to the phone. JBV-1 and MJF-16 are used as one unit.

In the calibration mode, the JBV-1 is powered by an external power supply (11-16VDC). During flashing, power for the phone can be taken from the FPS-8 prommer or from an external power supply (11-16VDC).

Product Code

JBV-1 Docking Station: 0770298

MJF-16 Docking Station Adapter: 0775300

View of JBV-1 and MJF-16



View of JBV-1, MJF-16, and the transceiver NPM-8



Galvanic Contact (GAC-4)

Galvanic Contact GAC-4 adapter provides an RF galvanic connection to RF test and measuring equipment.

Product Code

Galvanic Contact GAC-4:

0770448

View of Galvanic Contact



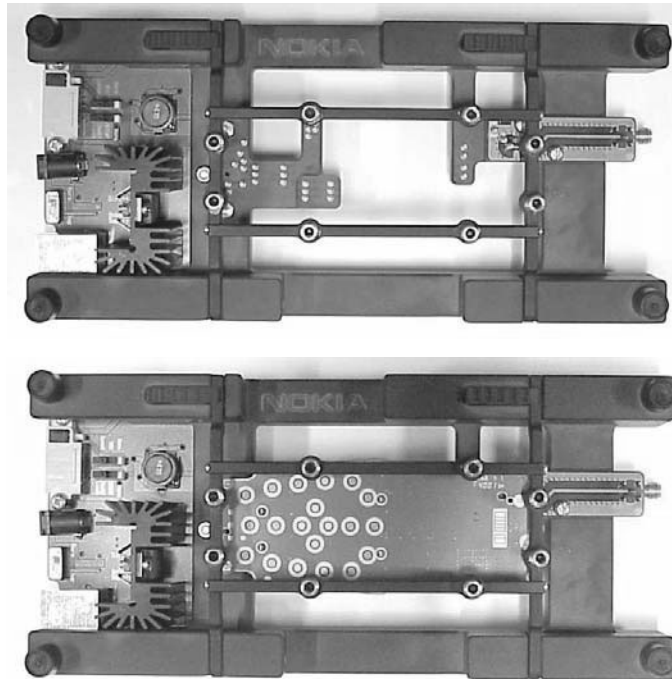
Module Jig (MJS-37)

The MJS-37 module jig is used for testing of UI/System/RF module.

Product Code

Module Jig MJS-37: 0770282

View of MJS-37



Note: The nominal supply voltage for MJS-37 is 8-12VDC. If the input voltage exceeds 12VDC, the MJS-37 jig may be damaged.

By default, the MJS-37 supplies the phone with 4.1VDC. If other output voltages are needed (e.g., test or use with FPS-8), it is possible to modify MJS-37 to support these requirements by removing R110 and mount S104. See the MJS-37 schematic for details.

Soldering Jig (MJS-67)

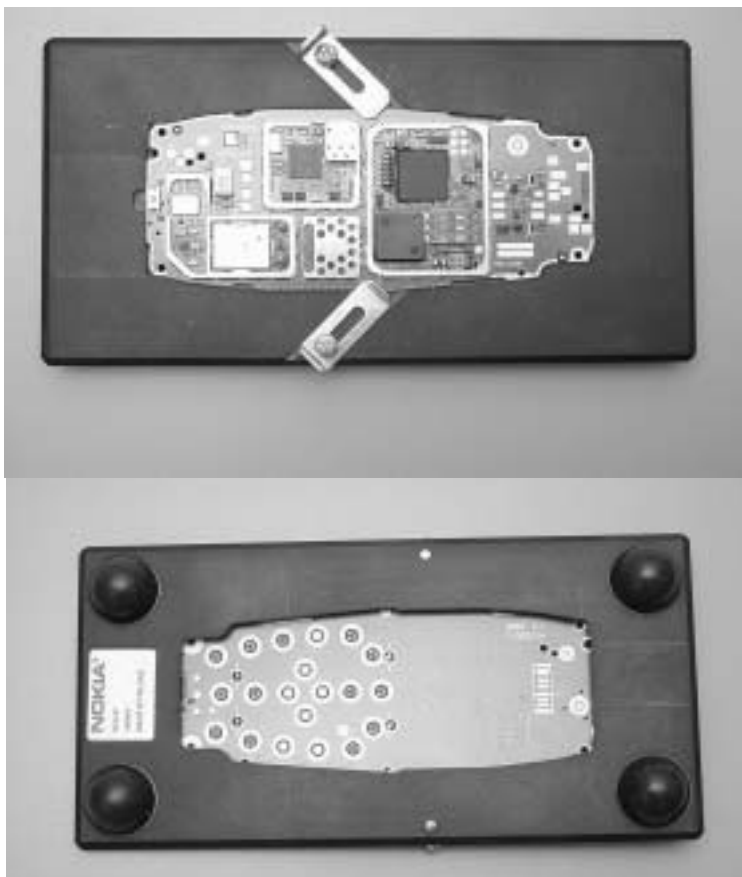
The MJS-67 soldering jig is used for soldering and as a rework jig for the system module.

Product Code

Module Jig MJS-67:

0770388

View of MJS-67



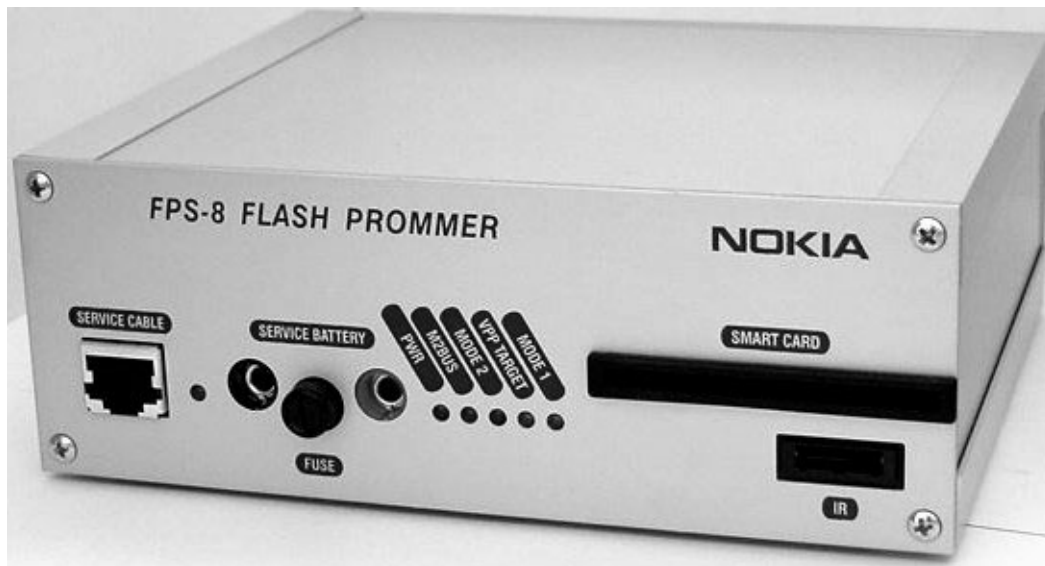
Flash Prommer (FPS-8)

The Flash Prommer FPS-8 is used for heavy flash.

Product Code

Flash Prommer FPS-8: 0080321

View of Flash Prommer



Parallel Flash Prommer (FPS-8C)

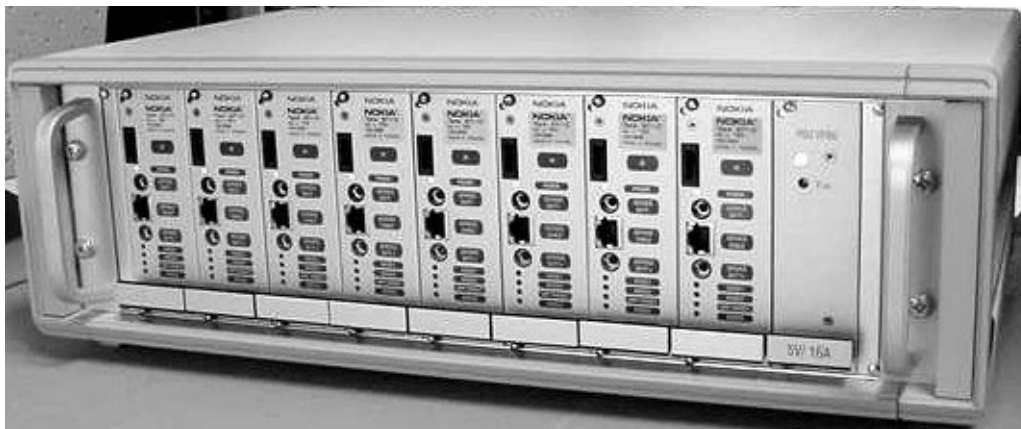
The Parallel Flash Prommer FPS-8C is used with MJF-16 and JBV-1. Flash programming can be done in parallel to a maximum of eight phones. FPS-8C consists of eight SF11C programming cards; SF11C card is functionally identical to the FPS-8.

Product Code

Parallel Flash Prommer FPS-8C:

0080396

View of Parallel Flash Prommer



Flash Loading Adapter (FLA-23)

The Flash Loading Adapter FLA-23 is designed for use at point-of-sale in place of the phone's normal battery. FLA-23 is used during service to supply a controlled operating voltage. FLA-23 also is used for flashing.

Product Code

Flash Loading Adapter FLA-23: 0775304

View of FLA-23



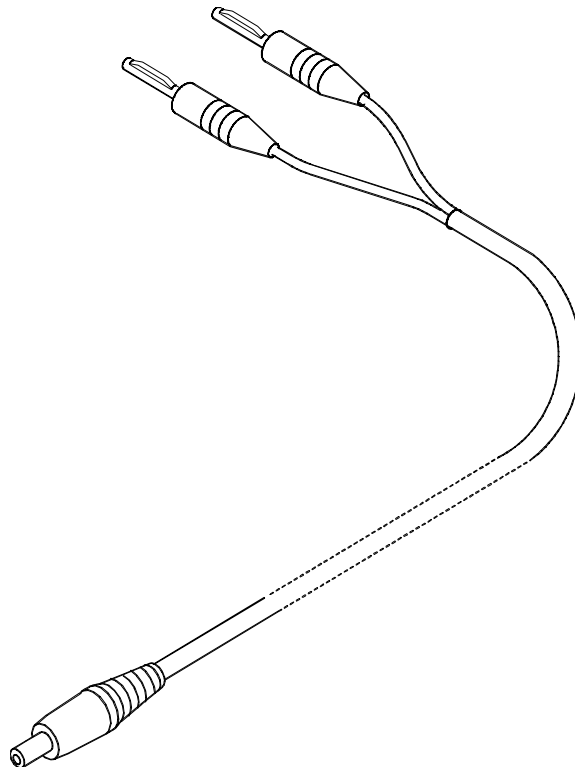
DC Cable (FLC-2)

The FLC-2 is used to supply a controlled operating voltage.

Product Code

DC Cable FLC-2: 0730185

View of FLC-2



Service Cable (XCS-1)

The XCS-1 Service Cable is used to connect the FLS-4S to FLA-23.

Product Code

Service Cable XCS-1: 0730218

View of XCS-1



SW Security Device (PKD-1)

SW security device PKD-1 is hardware device that, when connected to the parallel (LPT) port of the PC, enables the use of the service software. Without the dongle present, it is not possible to use the service software. Printers or other peripheral devices can be connected to the PC through the dongle, if needed.

Caution: Make sure that you have switched off the PC and the printer before making connections!

Caution: Do not connect the PKD-1 to the serial port. You may damage your PKD-1!

Product Code

SW Security Device PKD-1: 0750018

View of SW Security Device



POS Flash (FLS-4S)

The point-of-sale (POS) flash is a low-cost software upgrade tool. The FLS-4S requires the XCS-1 cable.

Product Code

POS Flash Adapter FLS-4S sales package: 0080543

View of POS Flash Adapter



Power Cable (PCS-1)

The Power Cable PCS-1 is used to connect service tools (JBV-1, MJS-17) to an external power supply.

Product Code

Power Cable PCS-1: 0730012

View of Power Cable



RF Cable (XRF-6)

RF Cable XRF-6 is used to connect the service tools to RF measuring equipment.

Product Code

RF Cable XRF-6: 0730231

View of RF Cable



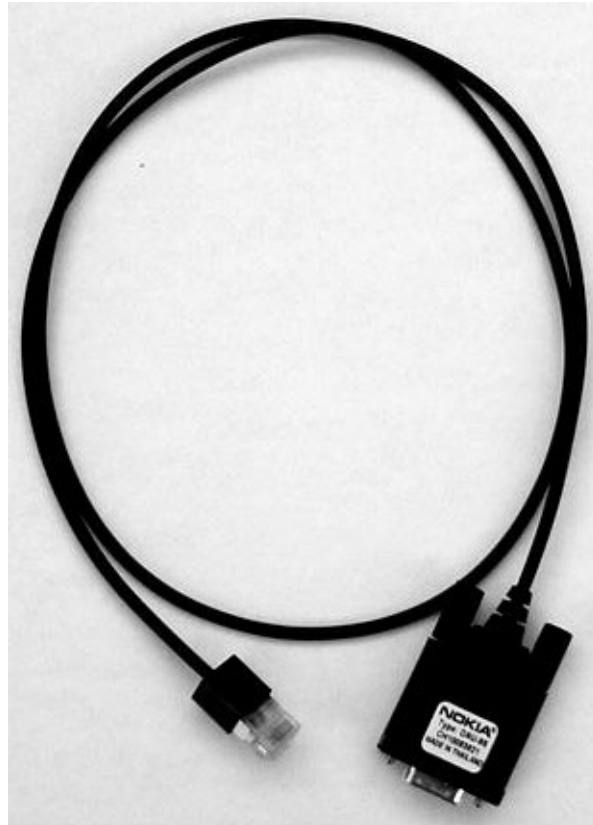
DAU-9S Mbus Cable

The DAU-9S Mbus Cable has a modular connector; it can be used for a serial connection between the PC and service tools such as the MJS-37.

Product Code

Mbus Cable DAU-9S: 0730108

View of Mbus Cable DAU-9S



DC Cable (SCB-3)

The DC Cable SCB-3 is used to connect the docking station to the charger connection (Vin) of the phone to conduct the charger calibration service procedure.

Product Code

DC Cable SCB-3: 0730114

View of DC Cable



Mbus/Fbus Cable (XCS-4)

The XCS-4 Service Cable is a modular cable for flashing DCT4 products.

Product Code

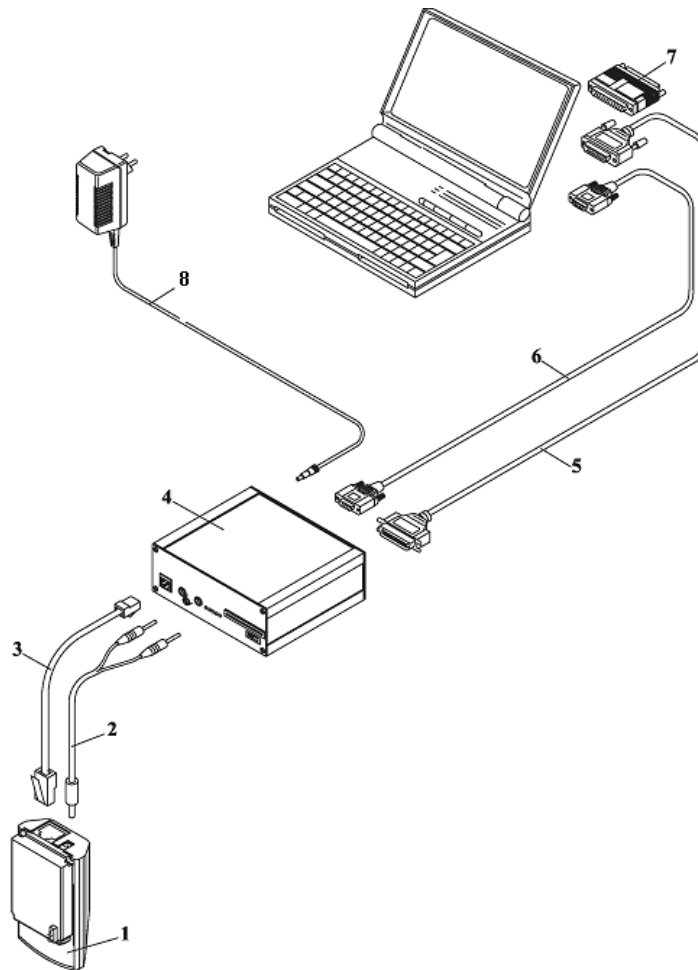
Mbus/Fbus Cable XCS-4: 0730178

View of Mbus/Fbus Cable



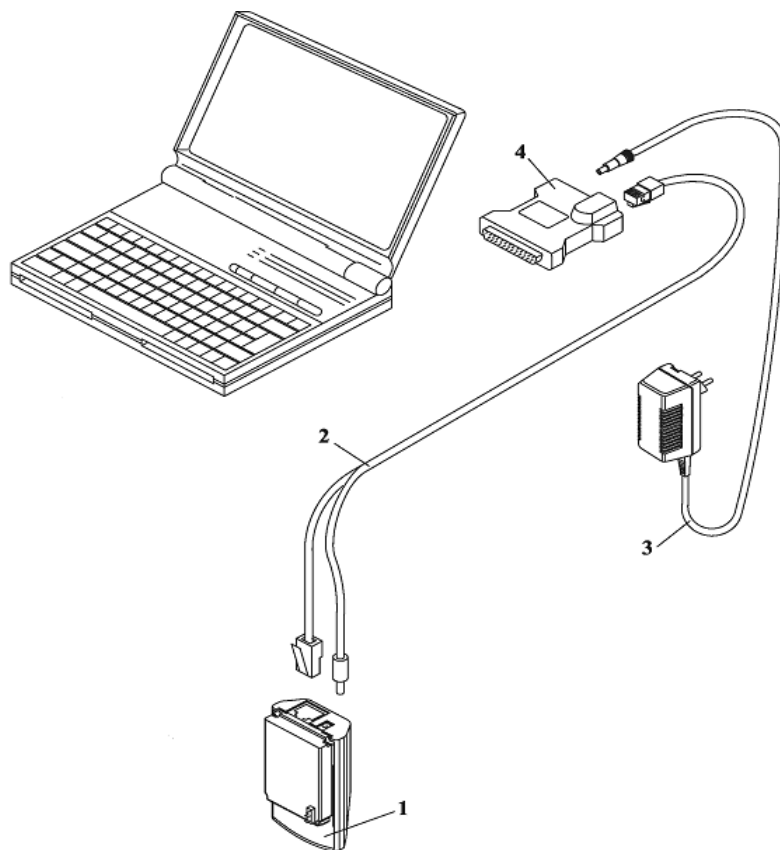
Flashing and Testing Setups

Flash Concept



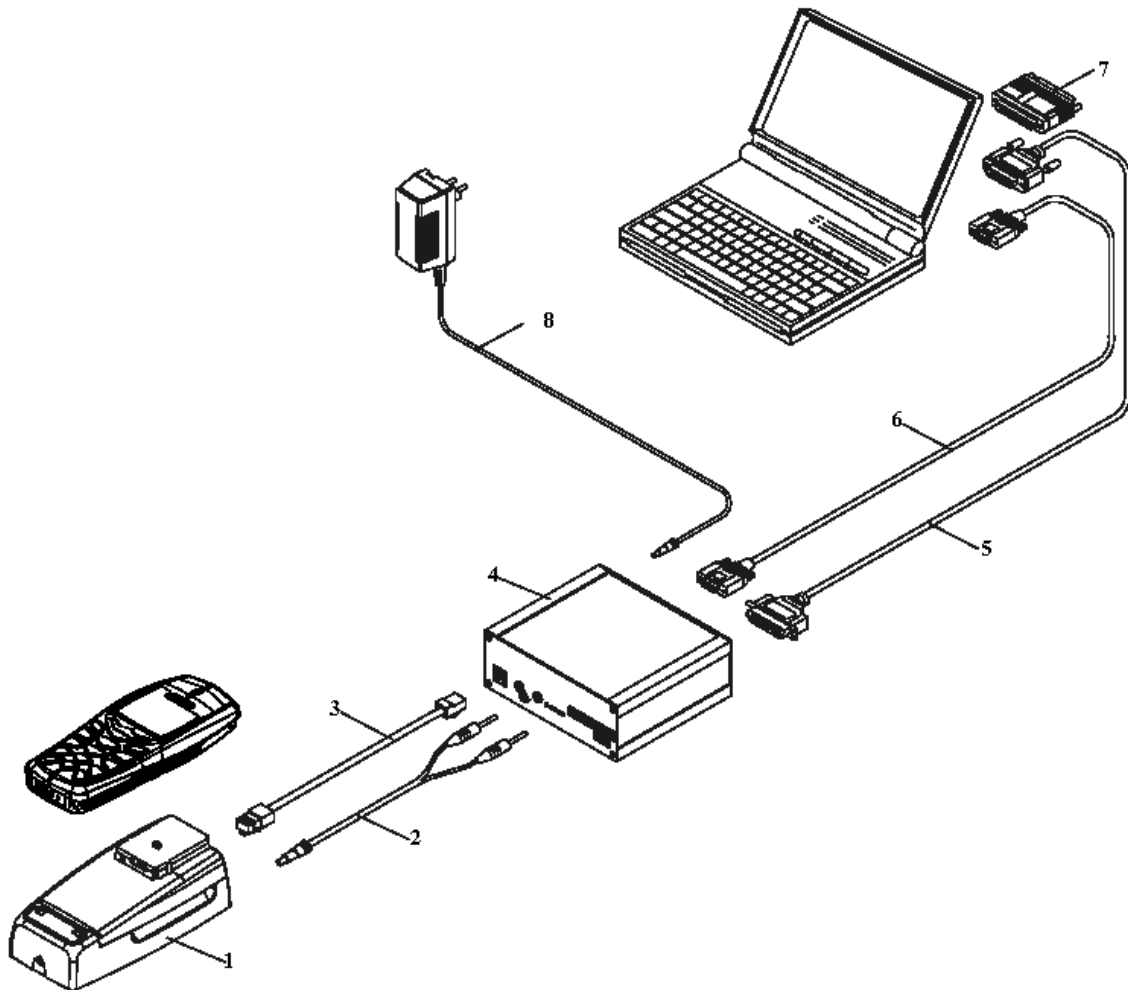
Item	Name	Type	Code
1	POS flash loading adapter	FLA-23	0775304
2	Power cable	FLC-2	0730185
3	Modular cable	XCS-4	0730178
4	Flash prommer box	FPS-8	0080321
5	Printer cable (included in FPS-8 sales pack)		073F000
6	D9-D9 cable (included in FPS-8 sales pack)		0730090
7	Software protection key	PKD-1	0750018
8	AC charger (included in FPS-8 sales pack)	ACF-8	0680032
	NPM-8 Data Package	SW	8411826

Flash Concept - POS (Point Of Sale)



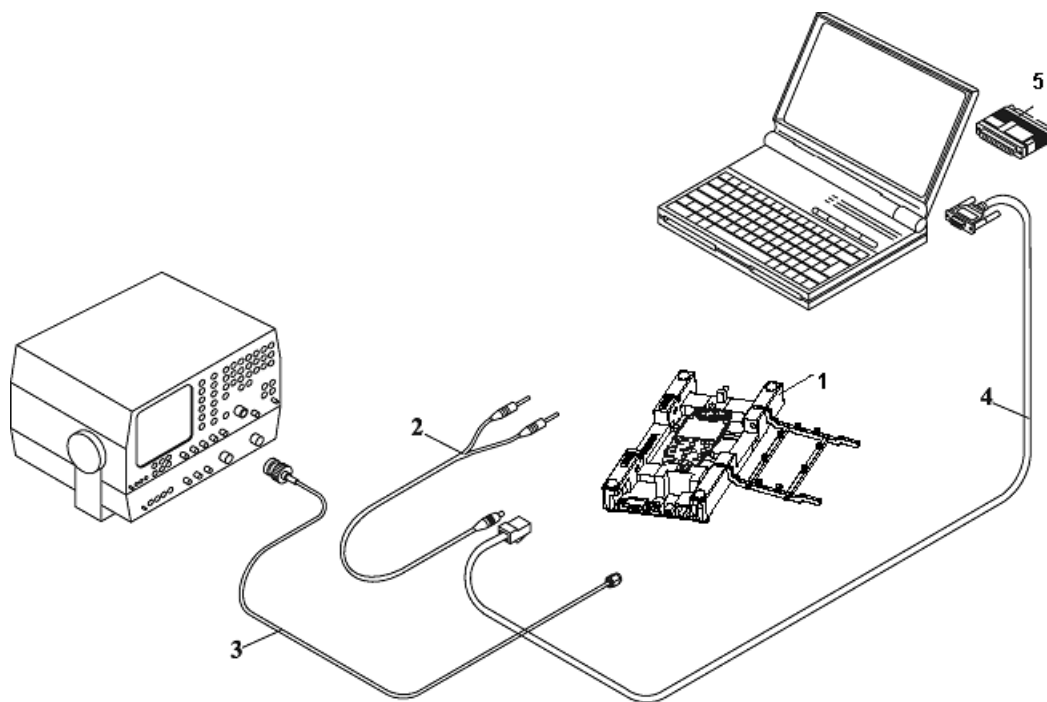
Item	Name	Type	Code
1	POS Flash loading adapter	FLA-23	0775304
2	Service cable	XCS-1	0730218
3	AC charger (included in FPS-8 sales pack)	ACF-8	0680032
4	POS flash dongle	FLS-4S	0080543
	NPM-8 Data Package	SW	8411826

JBV-1 Flash Concept



Item	Name	Type	Code
1	Docking station Docking station adapter	JBV-1 MJF-16	0770298 0775300
2	DC power cable	PCS-1	0730012
3	Modular cable	XCS-8	0730178
4	Flash prommer box	FPS-8	0080321
5	Printer cable (included in FPS-8 sales pack)		073F000
6	D9-D9 cable (included in FPS-8 sales pack)		0730090
7	Software protection key	PKD-1	0750018
8	AC charger (included in FPS-8 sales pack)	ACF-8	0680032
	NPM-8 Data Package	SW	8411826

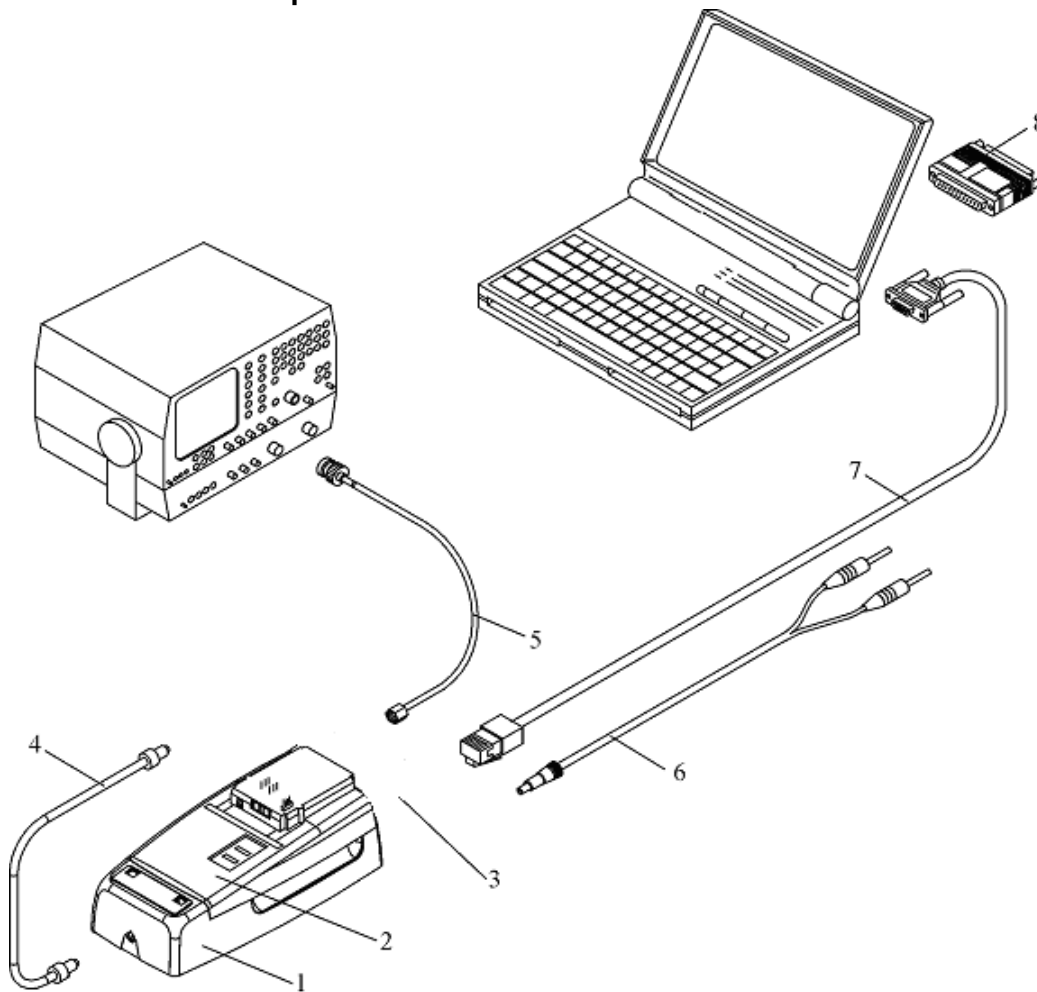
Jig Concept



Note: The MJS-37 can be modified to support use with FPS-8. See the MJS-37 schematic for more information.

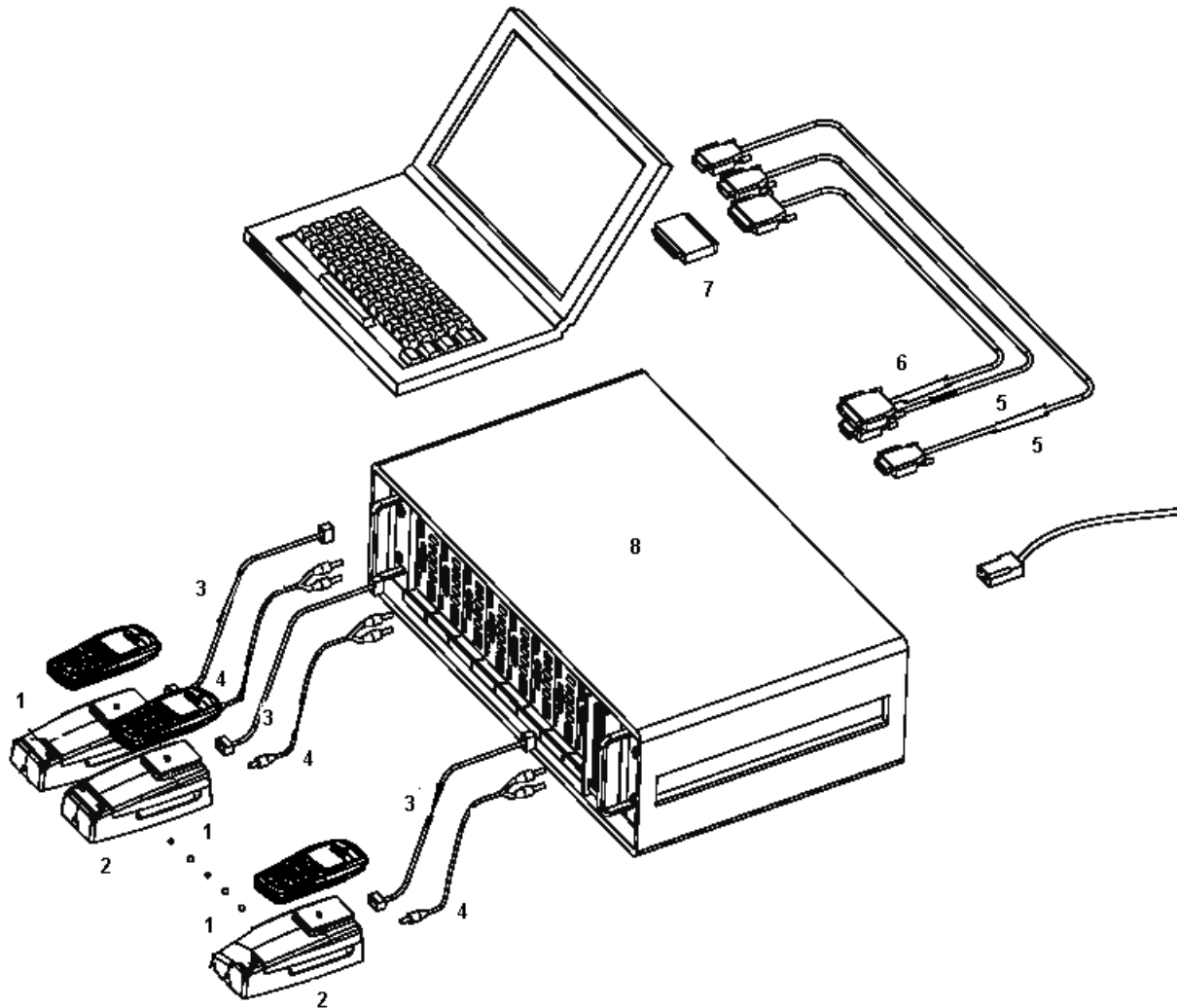
Item	Name	Type	Code
1	Module jig	MJS-37	0770282
2	DC power cable	PCS-1	0730012
3	RF antenna cable	XRS-6	0730231
4	Service MBUS cable	DAU-9S	0730108
5	Software protection key	PKD-1	0750018
	NPM-8 Data Package	SW	8411826

Covers On Service Concept



Item	Name	Type	Code
1	Docking station	JBV-1	0770298
2	Docking station adapter	MJF-16	0775300
3	Coupler	GAC-4	0770448
4	DC-DC cable	SCB-3	0730114
5	RF antenna cable	XRS-6	0730231
6	DC power cable	PCS-1	0730012
7	Service MBUS cable	DAU-9S	0730108
8	Software protection key	PKD-1	0750018
	NPM-8 Data Package	SW	8411826

Parallel Flash Concept



Item	Name	Type	Code
1	Docking station adapter	MJF-16	0775300
2	Docking station	JBV-1	0770298
3	Modular cable	XCS-8	0730178
4	DC power cable	PCS-1	0730012
5	D9-D9 cable (included in FPS-8C sales pack)		0730090
6	Printer cable (included in FPS-8C sales pack)		073F000
7	Software protection key	PKD-1	0750018
8	Parallel flash prommer	FPS-8C	0080396
	NPM-8 Data Package	SW	8411826

